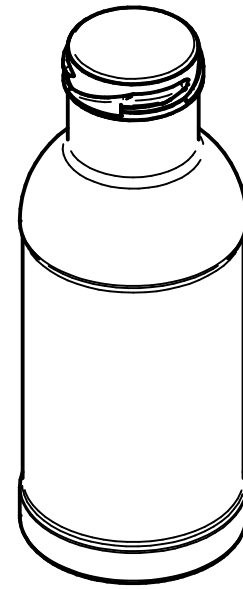
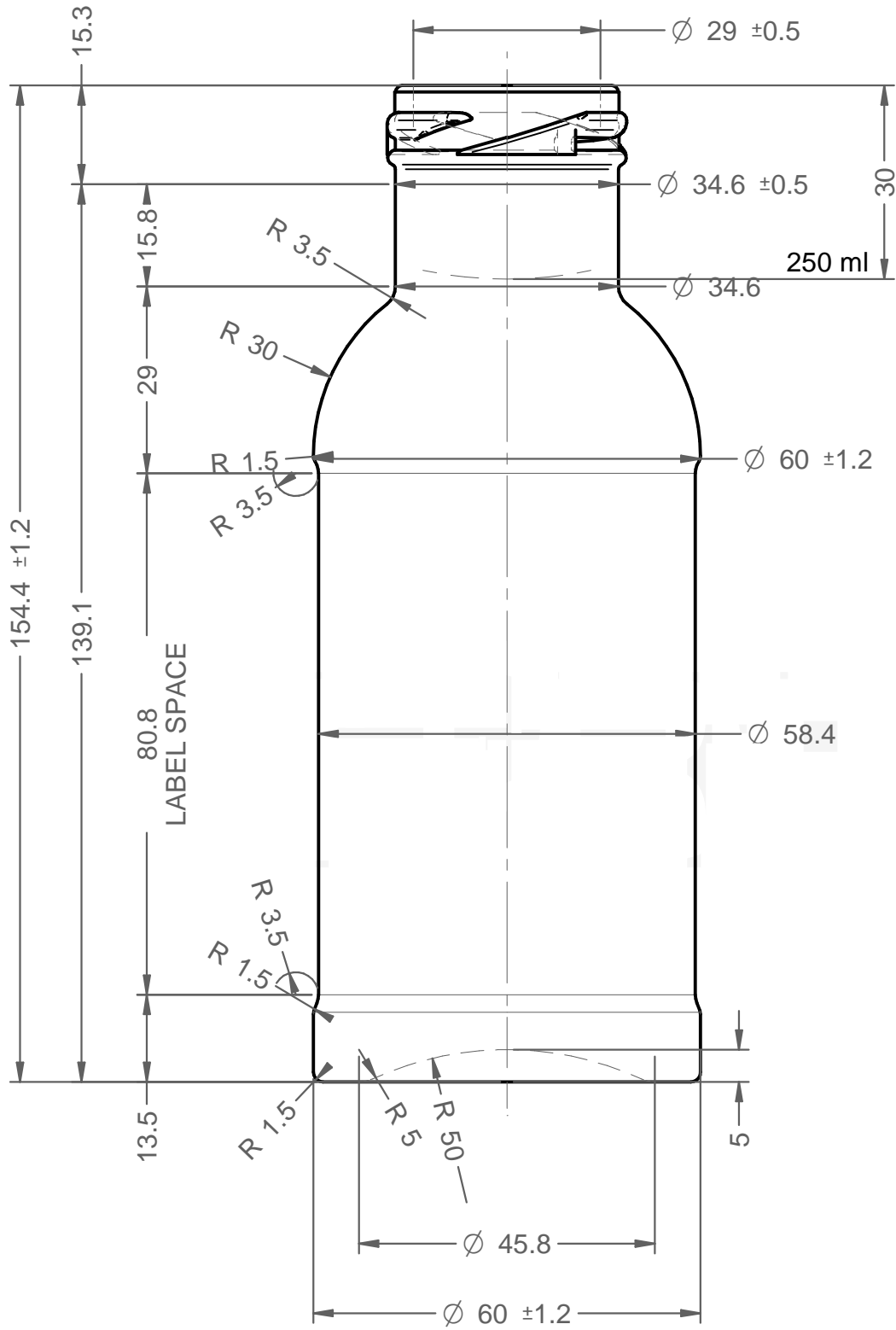


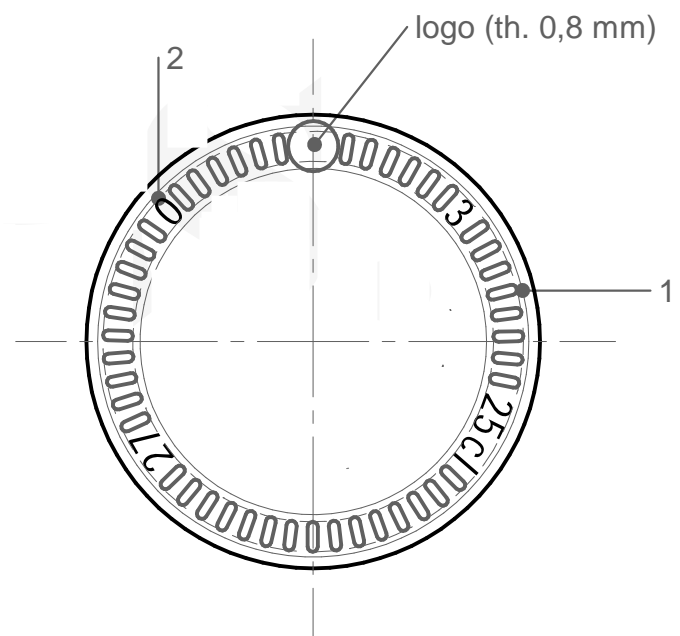
DIMENSIONS ARE EXPRESSED IN mm - ONLY DIMENSIONS WITH TOLERANCES ARE BINDING.

TOLLERANCE DEVIATION FROM VERTICAL AXIS 2 mm

FRONT VIEW



1:2



BOTTOM VIEW

- 1. STIPPLE
- 2. MOULD N.

DRAWING TO BE APPROVED AFTER THE SAMPLING

REV:	-	-	NAME:	DWG N°:		
DATE:	18/10/2022		TARAVAL SAUCE 250			
SCALE:	1:1					
SIZE :	A3					
REF. :	-					
			BRIMFULL CAPACITY: ml	270 ± 5	DRAWN BY:	
			GLASS WEIGHT: gr.	180	APPR. BY:	
			FINISH STD. :	TO 38 CF	CUSTOMER:	
			Ø MIN. THROUGH BORE:	-	PATENTED:	